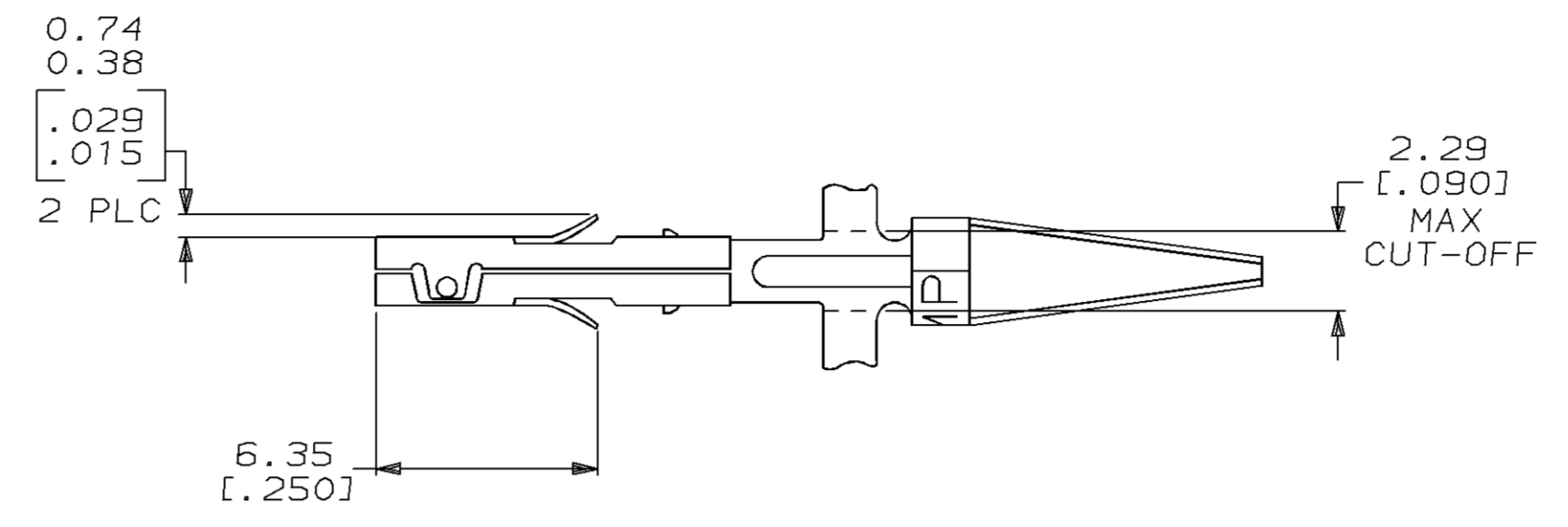
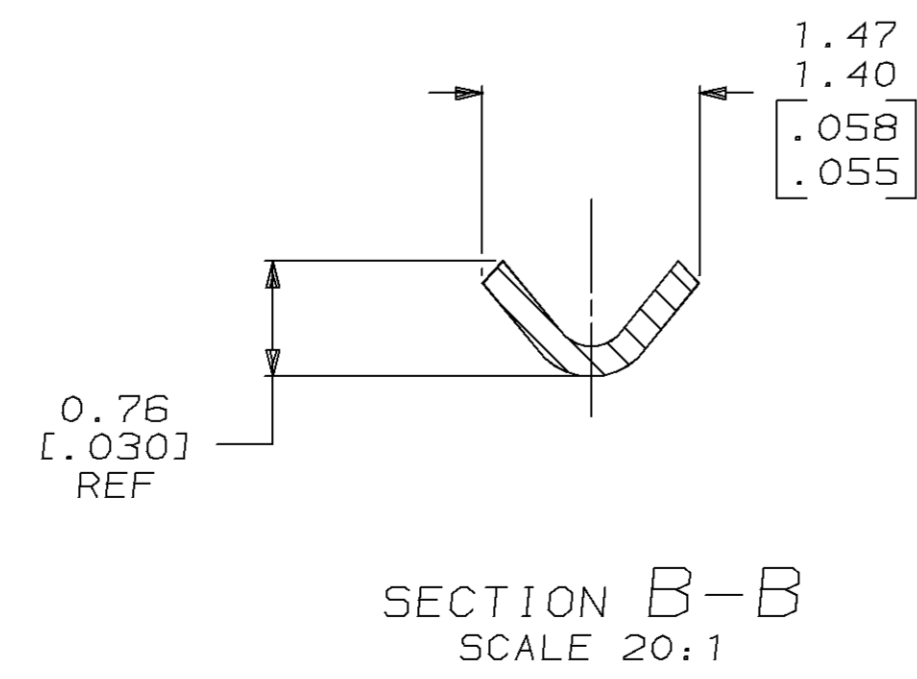
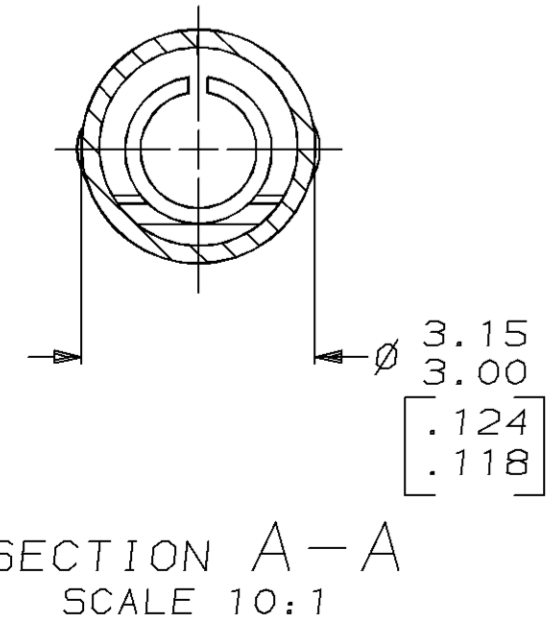
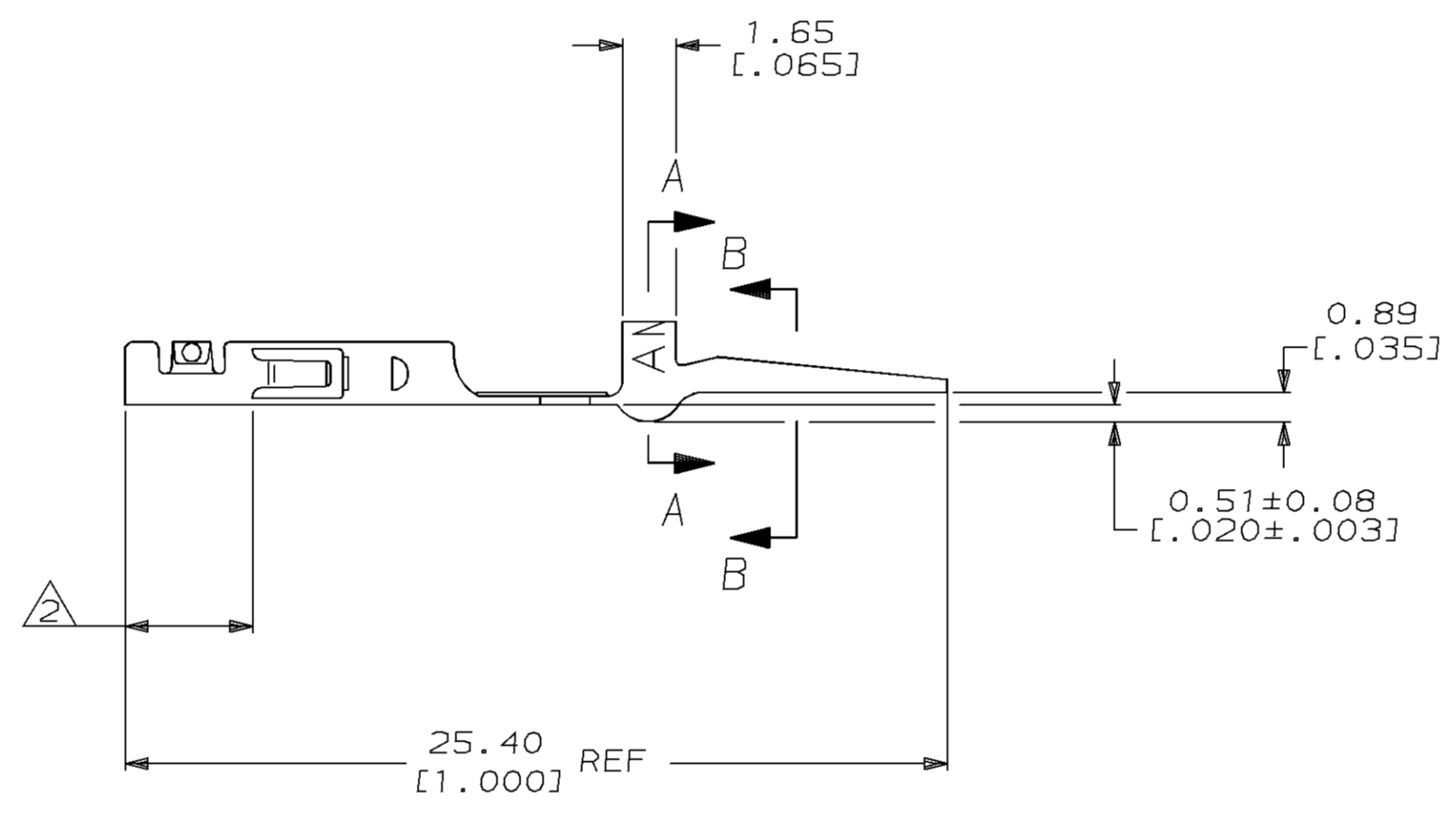
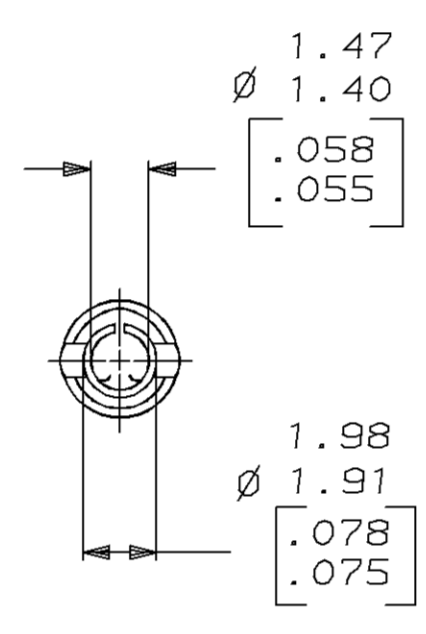


LOC		DIST		P		F		ZONE		LTR		REVISIONS		DATE	APPD
CM	52											G	REV & REDWN PER EC 0730-0059-95	3-21-95	KS RS



1. DIMENSIONS IN BRACKETS ARE IN INCHES.
2. 0.00076 [.000030] MIN GOLD STRIPE IN THIS AREA OVER 0.00127 [.000050] MIN NICKEL.
3. USED WITH MRI AND MR11 PLUG HOUSINGS.



FINISH	MATERIAL	PART NO
GOLD STRIPE	0.20 [.008] PHOS BRZ	350838-2
PRE-TIN	0.20 [.008] PHOS BRZ	350838-1

DO NOT SCALE PRINT. UNLESS SPECIFIED DIMENSIONS IN mm [INCHES] TOLERANCES ON: 2 PLC DEC ±0.13 [.005] 3 PLC DEC ± - ANGLES ± -		DR 3-21-95 K. SALMON	AMP AMP Incorporated Harrisburg, PA 17105-3608	
MATERIAL		CHK 3-21-95 R. SWING		
SEE TABLE	PRODUCT SPEC	APPD 3-21-95 W. LONG	NAME MR .058 SOCKET, WITH SOLDER TAIL	
FINISH	APPLICATION SPEC	APPD 3-21-95 W. LONG	SIZE D	CAGE CODE 00779
SEE TABLE	WEIGHT		DRAWING NO ©-350838	SHEET 1 OF 1

METRIC

THIS DRAWING IS A CONTROLLED DOCUMENT FOR AMP INCORPORATED. IT IS SUBJECT TO CHANGE AND THE CONTROLLING ENGINEERING ORGANIZATION SHOULD BE CONTACTED FOR THE LATEST REVISION.